



### Our Company

### Our Mission Statement

Eversoft is a leader in the water conditioning, water softening, water filtration and reverse osmosis market for the commercial, industrial and institutional communities. We achieve this leadership through top level knowledge, quality of product, and outstanding customer service.

We promise to always provide value, fairness and integrity in everything we do by:

- Placing our customers first.
- Recognizing our customer as our most valuable asset.
- Developing a corporate culture with quality customer service as our cornerstone.

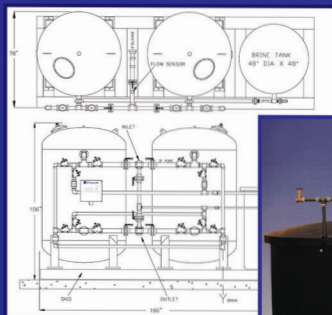
Cooperation, teamwork, trust and respect between Eversoft and its customers is our primary goal.

**With Eversoft,  
Service is the Difference**



For over 40 years, Eversoft has specialized in meeting the water conditioning needs for commercial, industrial and institutional applications. Innovative designs and engineering has made Eversoft a leader of the water conditioning industry. Salt efficient, metered equipment, and single unit multi-feed filtration systems, are just a few reasons companies depend on Eversoft. We provide constant communication with your architects and contractors, to ensure your job is completed on time.

We proudly service the water conditioning needs for over 7000 restaurants and hospitality operations, including many national chain accounts. Our service runs strong nationwide, as we continue to follow up on your maintenance needs. Long after your contractor has finalized the job, Eversoft is with you every step of the way.



### Contact Us

Our friendly staff is always here, ready to help and answer any questions you might have. Our normal operating hours are 8am to 5pm PST, Monday through Friday.

#### MAILING ADDRESS:

Eversoft Inc.  
707 West 16th Street  
Long Beach, CA 90813

#### PHONE/FAX:

(800)-383-7763  
(562) 495-7766  
Fax: (562) 495-7716  
Email: [sales@eversoftwater.net](mailto:sales@eversoftwater.net)  
[www.eversoftwater.net](http://www.eversoftwater.net)





## Softeners - Exchange Tanks - Reverse Osmosis

Eversoft is dedicated to providing the latest in industrial water treatment technologies. Our qualified sales and development team can custom plan and design your project in just a few days, providing solutions for nearly any application. Nationwide shipping and implementation is available, along with contact information for a qualified vendor in your area. With our highly trained personnel, you can count on superior service for all your water conditioning needs.

### SOFTENERS

Water softeners use an ion exchange process, which extract hard minerals (such as calcium) to produce soft water. Soft water is necessary for preventing lime scale build-up on dishes, sprayers, and is critical for espresso machines and steamers. Eliminating hard minerals reduces the amount of detergent and other chemicals consumed, while increasing the longevity of your appliances, thus resulting in lower product and maintenance costs.

- Dish Machines
- Laundry Facilities
- Steamers
- Boilers
- Pre Treatment
- Polishers
- Car Wash
- Espresso Machines



### REVERSE OSMOSIS

Reverse Osmosis systems purify by forcing water through a semi-permeable membrane, giving you bottled water quality. From low output coolers to high capacity industrial units reverse osmosis provides pure water from any city water supply.

### EXCHANGE TANKS

Eversoft supplies softener exchange tanks for small and large capacity applications in brine restricted areas. Our exchange tank delivery program is available throughout Southern California and ensures that your applications are continuously provided with soft water.

## Filters

Our filtration systems are available for a variety of common applications, or can be custom designed to meet specific water quality conditions in your area.



Enjoy great tasting, crystal clear ice. Every model includes a phosphate agent, to protect your ice machine from clogging and corrosion.



Our sediment and carbon cartridges remove foul tastes and odors, providing fresh clean water. Different models and configurations are available to provide your customers with that perfect taste.

- Soda Dispensers
- Coffee & Tea Brewers
- Juice Machines
- Glass Fillers



We offer a full line of coolers, filters, and R.O. systems, specially designed for your drinking water needs.

### Commercial UV

This system prevents bacteria from reproducing in your water by using ultra violet technology. Combined with a carbon block cartridge (included), this filter is great for drinking water.

## Salt Delivery and Exchange Programs

With a dedicated dispatch department and a fleet of modern GPS enabled vehicles, Eversoft is capable of delivering salt and softener exchange tanks on time, anywhere in Southern California. Every visit from our trained staff includes a water and equipment analysis that is tracked in our database. This allows Eversoft to identify potential problems and stop them before they start. All of our customers enjoy this preventative maintenance program at no additional cost.

